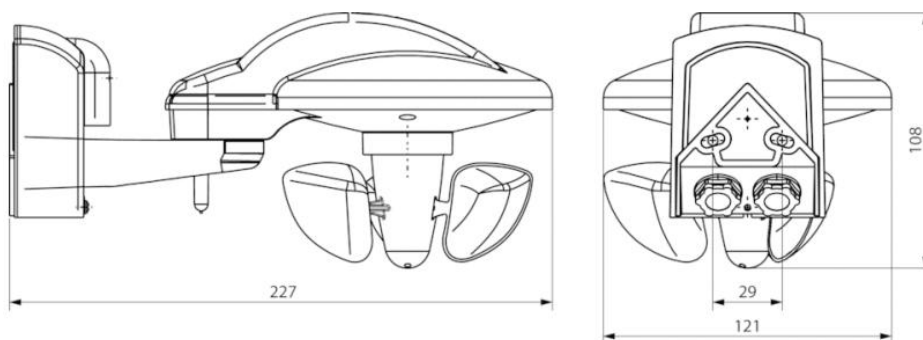




Weather station with high precision sensors and extreme robustness and reliability. The device also incorporates: heating element, unit for coupling unit, control electronics. Requires SIN.0047

TECHNICAL SPECIFICATIONS

Power Supply	Nominal voltage Un	110-230Vac, 50/60Hz
	Power	<0,5W
	KNX Power consumption	<10mA
Outputs	Rain sensor	YES/NO
	Light sensor	Luminosity 1..100000LUX
	Temperature sensor	Range -30..+60°C
	Wind sensor	Range 2..30m/s
Protection type	IP 44	EN 60529
Materials	Body	Plastic
Protection class	Class III	
Temperature range	Operating	[-20°C,+55°C]
	Storage	[-30°C,+60°C]
	Transport	[-30°C,+60°C]
Dimensions	HxLxW mm	221x108x121 mm
Standard programming	Channel A	13/4/0 – Luminosity
	Channel B	13/4/1 – Ambient temperature
	Channel C	13/4/2 – Wind speed
	Channel B	13/4/3 – Rain sensor



ORDERING CODE

SIN.STAZMETEO2