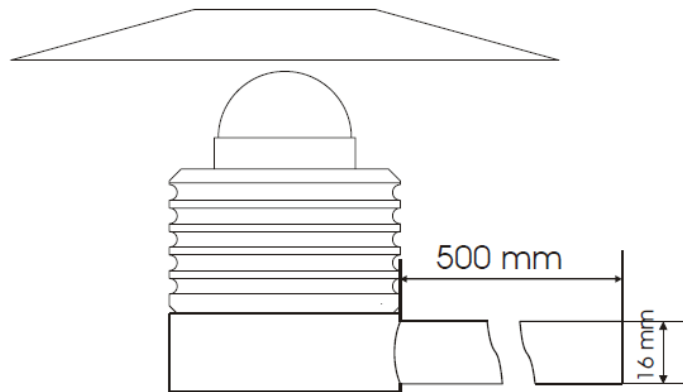
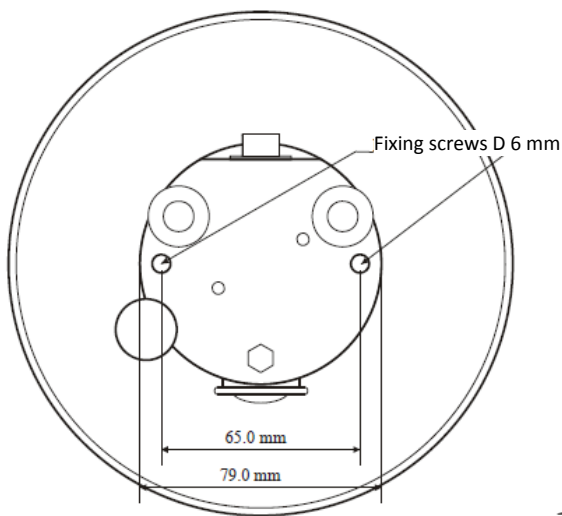




Kit consisting of a bracket for fastening the pyranometer SIN.LPPYRA02 to a cylindrical support, complete with screws for leveling and fixing and with a protective screen. Suitable for poles up to 50 mm in diameter.



ORDERING CODE

SIN.LPS2

